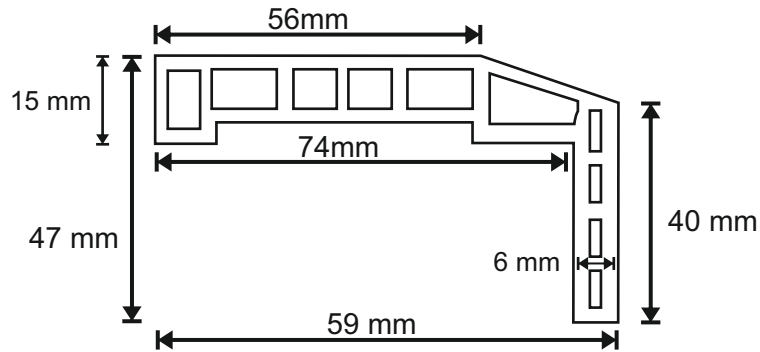


Technical Datasheet: Door Frame Cover DFC-100



Type: Wood Plastic Composites
 Weight: 1 Kg Each Long Meter
 Polymer base: PVC (Poly Vinyl Chloride)
 ASTM Standards:

ASTM G154-12	UV Index Delta E: 2.32
ASTM D638-10	Tensile Strength Avg: 18.5 Mpa
ASTM D570-98	Water Absorption 2Hrs: 1.15% and 24Hrs: 4.09
ASTM E 289-04	Linear Thermal Expansion 20-50 Celsius $4.6 \times 10^{-5} 1/K$
ASTM D6109-13	Flexural Strength: 29.8 MPa
ASTM D6110-77	Falling Test Weight: 1 Kg Height : 1500mm Result: Passed

Note: The values in tests been on material properties not the profile

Afra Profile Plast Co.

About Afra Profile Plast Co.

The company produces top quality of Wood Plastic Composite with 10 years experience. It also, provides variety of profiles, that can suit to different designs by highest expertise and advanced formula in manufacturing.

Overview of Wood Plast

Wood Plastic Composites (WPC) profiles are products look and feel like woods and made from the woods with distinct additives and polymer under special circumstances. In other words, additives been used to improve mechanical properties, and features of these products are resistant against UV lights, fire, fungus, pest, and water, that makes to sustain in outdoor environment. On the other hand, regular wood can not resist or, need expensive maintenance with constant care in outdoors, which Wood Plastic Composites do not require that much care, attention, and expenses.

About Door Frame Cover DFC-100

Our frame cover is integral to architectural aesthetics, exerting a profound influence on building's appearance. following the installation of door frame profile, meticulous adjustments align the cover with precision between the wall and frame. Therefore, there is already a groove designed on the door frame in which the edge of the cover sinks inside.

Related Accessories & Profiles:

Seals tape (Foam Rubber)
 Door Frame DF-100, Door D-200, Rail R-400

For more information please visit the website: www.afraplast.com